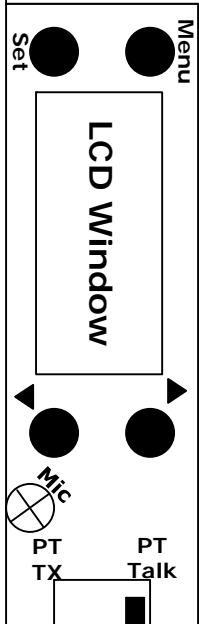
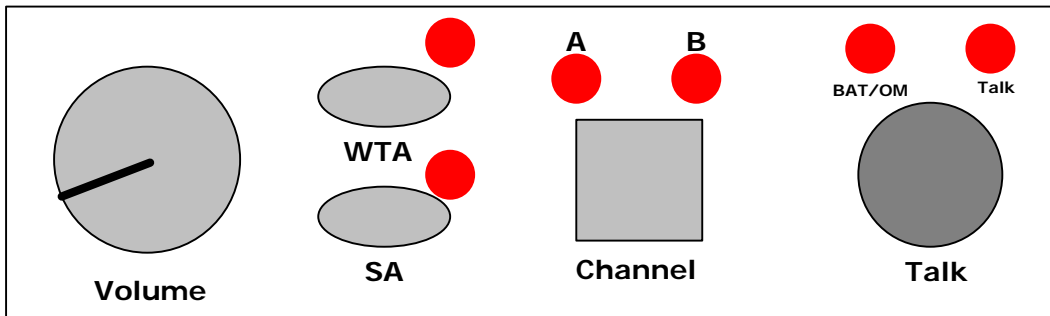


Telex TR800 Beltpack Operation



TR-800 Beltpack

Controls of the TR800 Beltpack

Volume – Adjust the local headset Volume

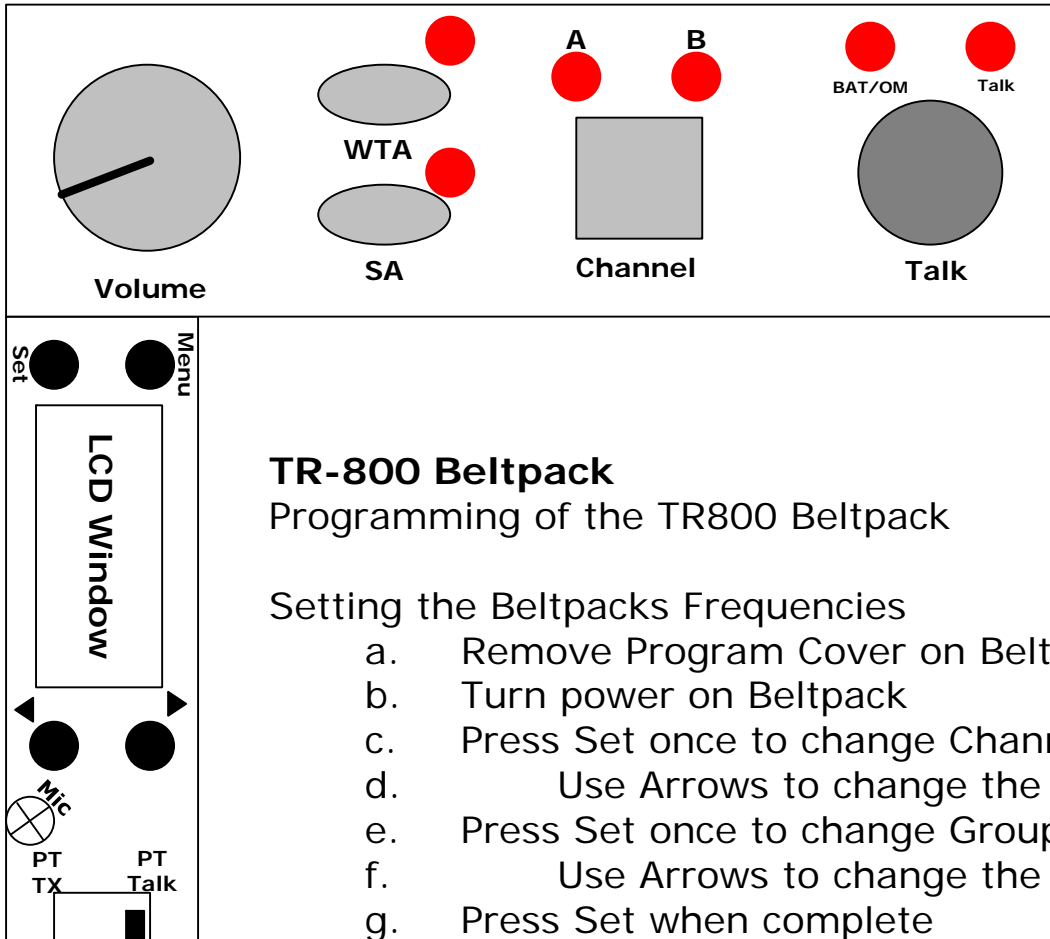
WTA – Wireless Talk Around
To communicate with other beltpacks only

SA – Stage Announce – Activates a second audio output. Typically not used

Channel A & B - Switches between 2 different audio paths

Talk - Enable the headset microphone

Telex TR800 Beltpack Programming



TR-800 Beltpack

Programming of the TR800 Beltpack

Setting the Beltpacks Frequencies

- Remove Program Cover on Beltpack
- Turn power on Beltpack
- Press Set once to change Channel
- Use Arrows to change the setting
- Press Set once to change Group
- Use Arrows to change the setting
- Press Set when complete

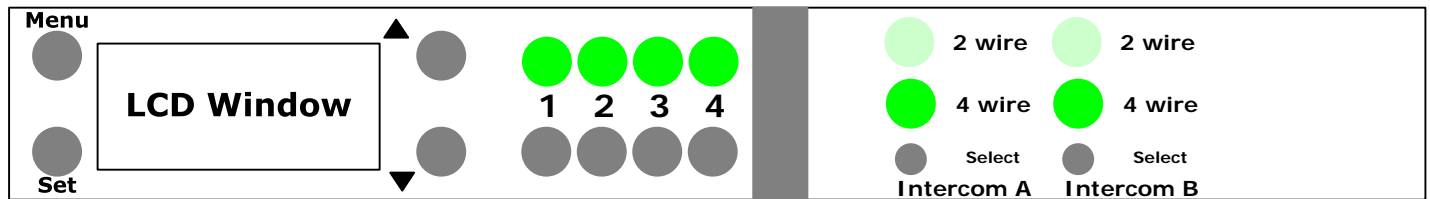
Setting the Beltpack Controls (lock out functions)

- Remove Program Cover on Beltpack
- Activate/Deactivate WTA
Press and hold SET, toggle WTA
- Activate/Deactivate SA
Press and hold SET, toggle SA
- Activate/Deactivate A & B Audio Channels
Press and hold SET, toggle CH A&B
- Activate/Deactivate Talk Latch/Push to Talk
Press and hold SET, toggle Talk button

Lockout the programming window

- Remove Program Cover on Beltpack
- Press and hold the up and down arrows for 3 seconds will engage the locking feature

Telex BTR 800 Basestation Program



BTR-800 Basestation

Programming of the BTR800 Basestation

Setting the Frequencies

- a. Turn power on Basestation
- b. Press Menu once
- c. Press Set once to change Group
- d. Use Arrows to change the setting
- e. Press Set once to change Channel
- f. Use Arrows to change the setting
- g. Press Set then Menu when complete

Setting the channel A & B connections

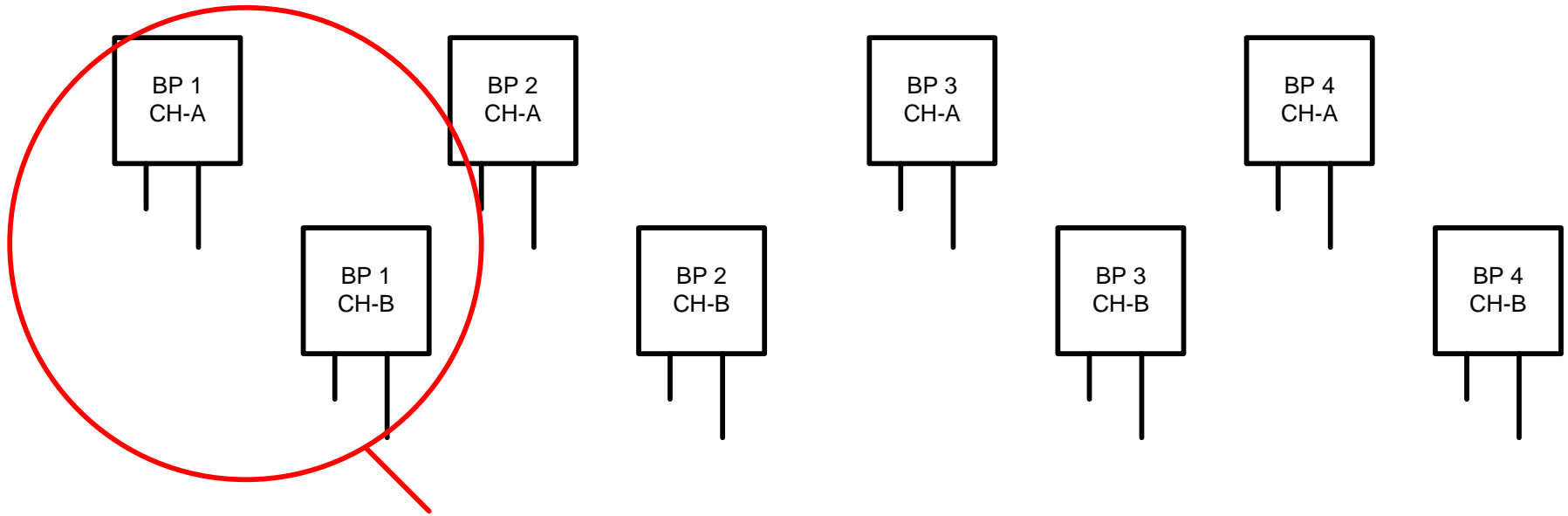
- a. Intercom A, Press Select to change between 2-wire & 4-wire outputs
- b. Intercom B, Press Select to change between 2-wire & 4-wire outputs

4-wire connection for Matrix systems

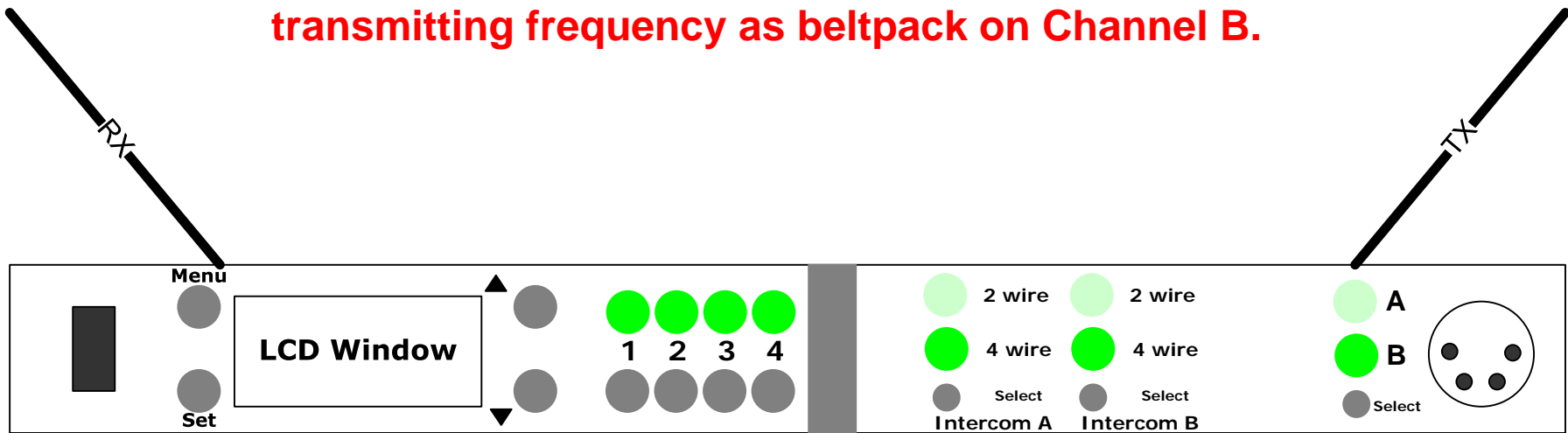
Lockout the programming window

- a. Press and hold the up and down arrows for 3 seconds will engage the locking feature

Telex BTR800 FQ's Paths



This setup is not possible. Beltpack #1 on channel A is the same transmitting frequency as beltpack on Channel B.



Telex BTR800 FQ's Paths

